

Service Manual

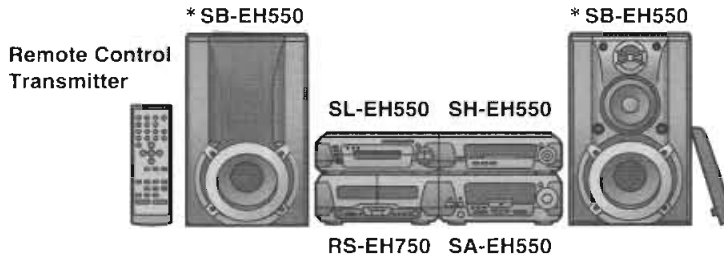
Sound Processor

Sound Processor SH-EH550

VIRTUAL

DOLBY
SURROUND
Colour

(S) Silver Type

Areas
 (E) Europe.
 (GC) Asia, Latin
 America,
 Middle East
 and Africa.


Because of unique interconnecting cables, when a component requires service, send or bring in the entire system.

System	SC-EH550
Sound Processor	SH-EH550
Tuner/Amplifier	SA-EH550
CD Player	SL-EH550
Cassette Deck	RS-EH750
Front Speakers*	SB-EH550

* : Made in Singapore.

Specifications

EQ/SFP Section**MANUAL GEQ:**

Center frequency; 100 Hz, 315 Hz, 1 kHz, 3.15 kHz, 10 kHz
 Level control; $\pm 3, 6, 9$ dB

EQ SPACE mode:

3 modes; HEAVY, CLEAR, HALL

3D Acoustic Image EQ:

3 modes; AI EQ, 3D AI1, 3D AI2

Pre-amplifier Section**Input sensitivity/impedance:**

VCR (EXT); 250 mV/15 k Ω

Output level:

VCR REC OUT; 250 mV/1.5 k Ω

VIRTUAL DOLBY SURROUND Section

Mode: VIRTUAL DOLBY SURROUND

AV SURROUND Section

AV SURROUND mode: SIMULATED STEREO

DSP CONTROL Section

DSP CONTROL mode:

SEAT POSITION

Spectrum Analyzer Section

Display mode:

NORMAL, PEAKHOLD, AURORA

General

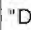
Dimensions (W×H×D):

293×89×269 mm

Weight:

1.4 kg

Notes: Specifications are subject to change without notice.
 Weight and dimensions are approximate.

Dolby noise reduction manufactured under license from Dolby Laboratories Licensing Corporation.
 "DOLBY", the double-D symbol  are trademarks of Dolby Laboratories Licensing Corporation.

 **WARNING**

This service information is designed for experienced repair technicians only and is not designed for use by the general public. It does not contain warnings or cautions to advise non-technical individuals of potential dangers in attempting to service a product. Products powered by electricity should be serviced or repaired only by experienced professional technicians. Any attempt to service or repair the product or products dealt with in this service information by anyone else could result in serious injury or death.

Technics®

© 1999 Matsushita Electric Industrial Co., Ltd.
 All rights reserved. Unauthorized copying and distribution is a violation of law.

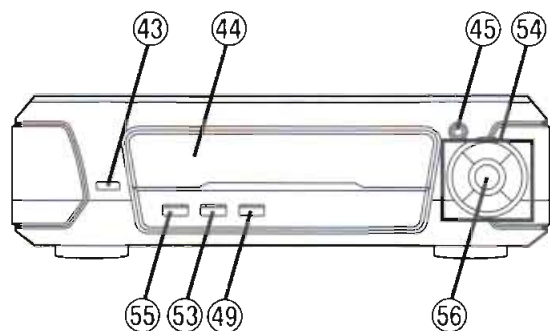
■ Contents

	Page		Page
Location of Controls	2	Wiring Connection Diagram	16
Operation Checks and Component Replacement Procedures	3,4	Terminal Function of IC's	17
Schematic Diagram	5~12	Block Diagram	18~21
Printed Circuit Board Diagram	13~15	Replacement Parts List	22~24
Type Illustration of IC's, Transistors and Diodes	16	Cabinet Parts Location	24

NOTE:

Refer to the service manual for Model No. SA-EH550 (ORDER No. AD9903062C2) for information on "Accessories", "Connections", "Installation", "Operations" and "Packaging".

■ Location of Controls

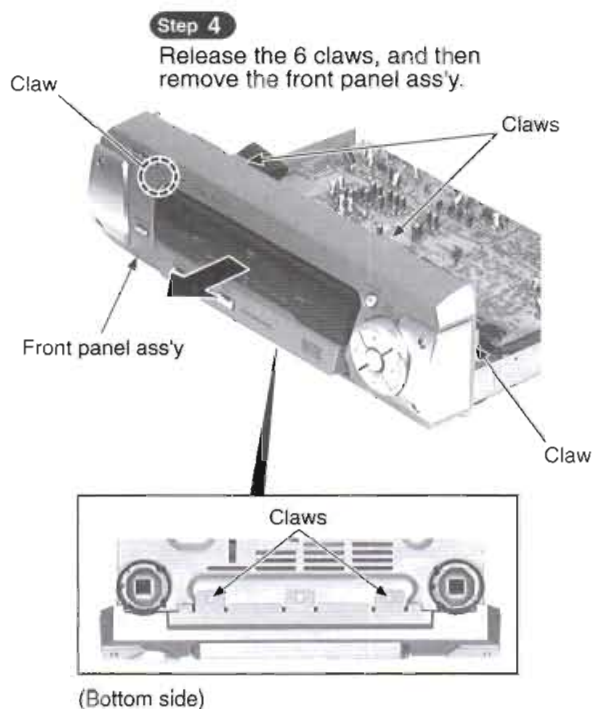
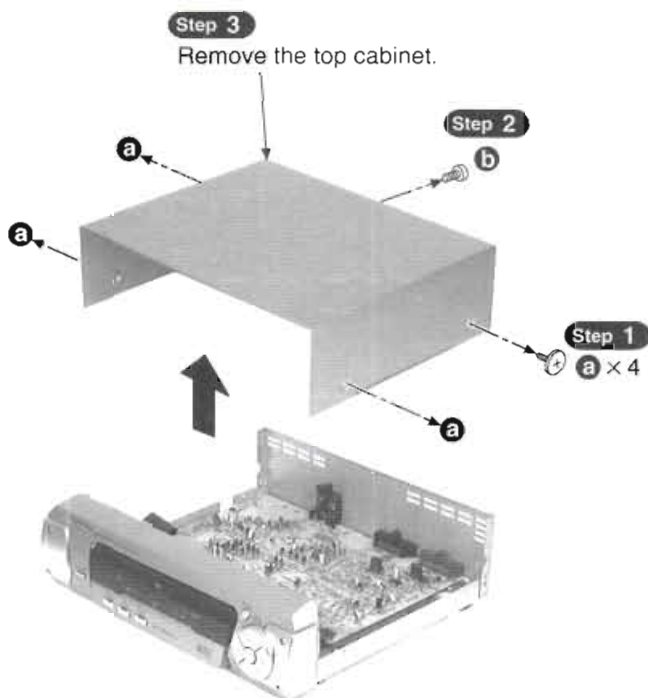


- ④③ Display mode select button (DISPLAY MODE)
- ④④ Display
- ④⑤ 3D AI EQ button (3D AI EQ)
- ④⑨ Simulated stereo on/off button and indicator (SIMULATED STEREO)
- ⑤③ Seat position button and indicator (SEAT POSITION)
- ⑤④ Multi control buttons (▶, ▲, ◀, ▼ MULTI CONTROL)
- ⑤⑤ Virtual dolby surround on/off button and indicator (VIRTUAL DOLBY SURROUND)
- ⑤⑥ EQ select button (EQ)

■ Operation Checks and Component Replacement Procedures

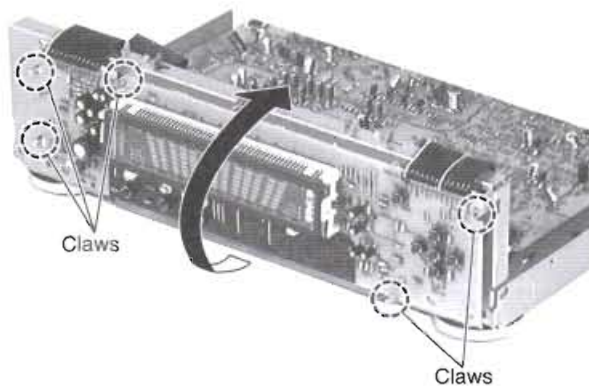
- NOTE** 1. This section describes procedures for checking the operation of the major printed circuit boards and replacing the main components.
2. For reassembly after operation checks or replacement, reverse the respective procedures. Special reassembly procedures are described only when required.

1. Checking for the FL P.C.B.

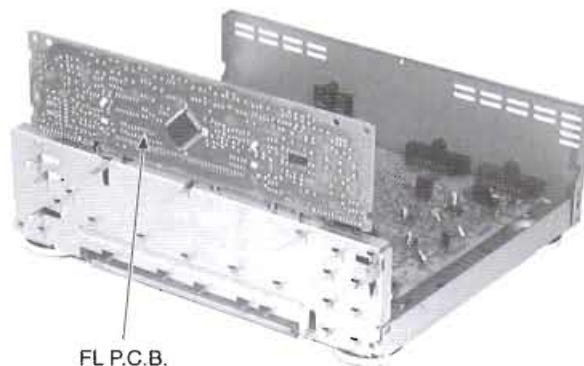


Step 5

Release the 5 claws, and then remove the FL P.C.B..

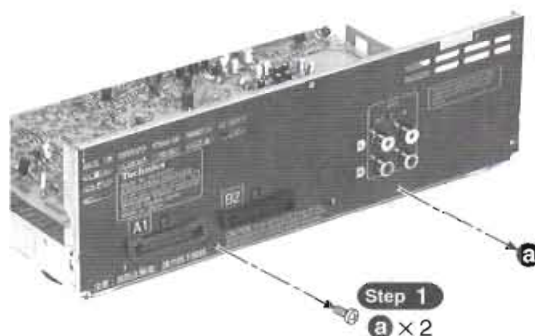


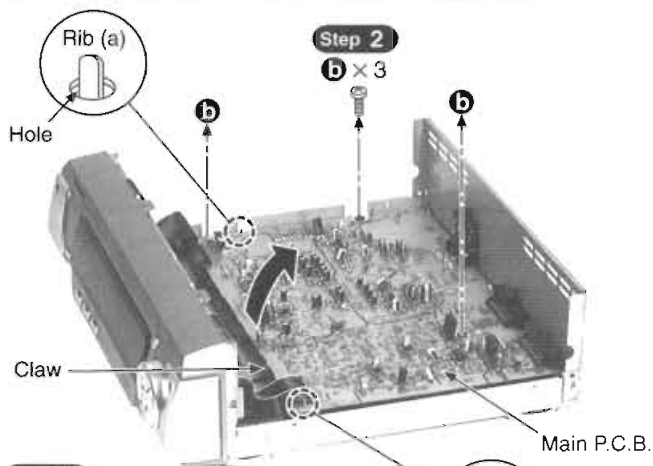
• Check the FL P.C.B. as shown below.



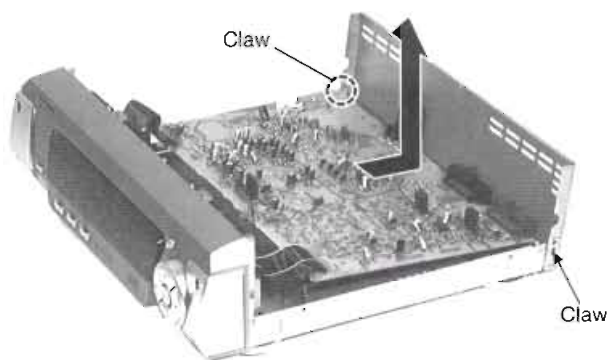
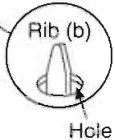
2. Checking for the main P.C.B.

• Follow the **Step 1** ~ **Step 3** of the item 1.





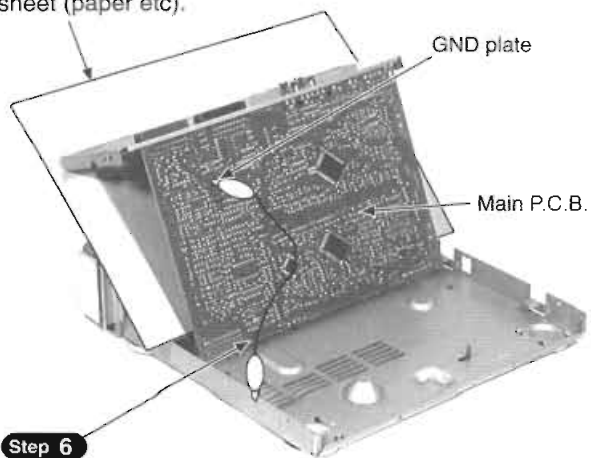
Step 3
Release the claw, and then lift up the main P.C.B..
(Lift up the main P.C.B. until the rib (a) and rib (b) are released from the hole of main P.C.B..)



Step 4
Release the 2 claws, and then remove the main P.C.B. in the direction of arrow.

· Check the main P.C.B. as shown below.

Step 5
Insert the insulator sheet (paper etc).



Step 6
Connect the lead wire.





■ Schematic Diagram

Page

A FL CIRCUIT	6,7
B MAIN CIRCUIT	8~12

- This schematic diagram may be modified at any time with the development of new technology.

Notes:

- **S601** : Display mode select switch (DISPLAY MODE)
 - **S602** : Virtual dolby surround on/off switch (VIRTUAL DOLBY SURROUND)
 - **S603** : Seat position switch (SEAT POSITION)
 - **S604** : Simulated stereo on/off button switch (SIMULATED STEREO)
 - **S609~S612** : Multi control switch (S609 : ►, S610 : ▲, S611 : ◀, S612 : ▼)
 - **S613** : 3D AI EQ switch (3D AI EQ)
 - **S614** : EQ select switch (EQ)
- Indicated voltage values are the standard values for the unit measured by the DC electronic circuit tester (high-impedance) with the chassis taken as standard. Therefore, there may exist some errors in the voltage values, depending on the internal impedance of the DC circuit tester.
 - Important safety notice:
Components identified by  mark have special characteristics important for safety.
Furthermore, special parts which have purposes of fire-retardant (resistors), high-quality sound (capacitors), low-noise (resistors), etc. are used.
When replacing any of components, be sure to use only manufacturer's specified parts shown in the parts list.
 - **Caution!**
IC and LSI are sensitive to static electricity.
Secondary trouble can be prevented by taking care during repair.
Cover the parts boxes made of plastics with aluminum foil.
Ground the soldering iron.
Put a conductive mat on the work table.
Do not touch the legs of IC or LSI with the fingers directly.
 - **Voltage and signal line**
 -  : Positive voltage line
 -  : Negative voltage line
 -  : CD signal line

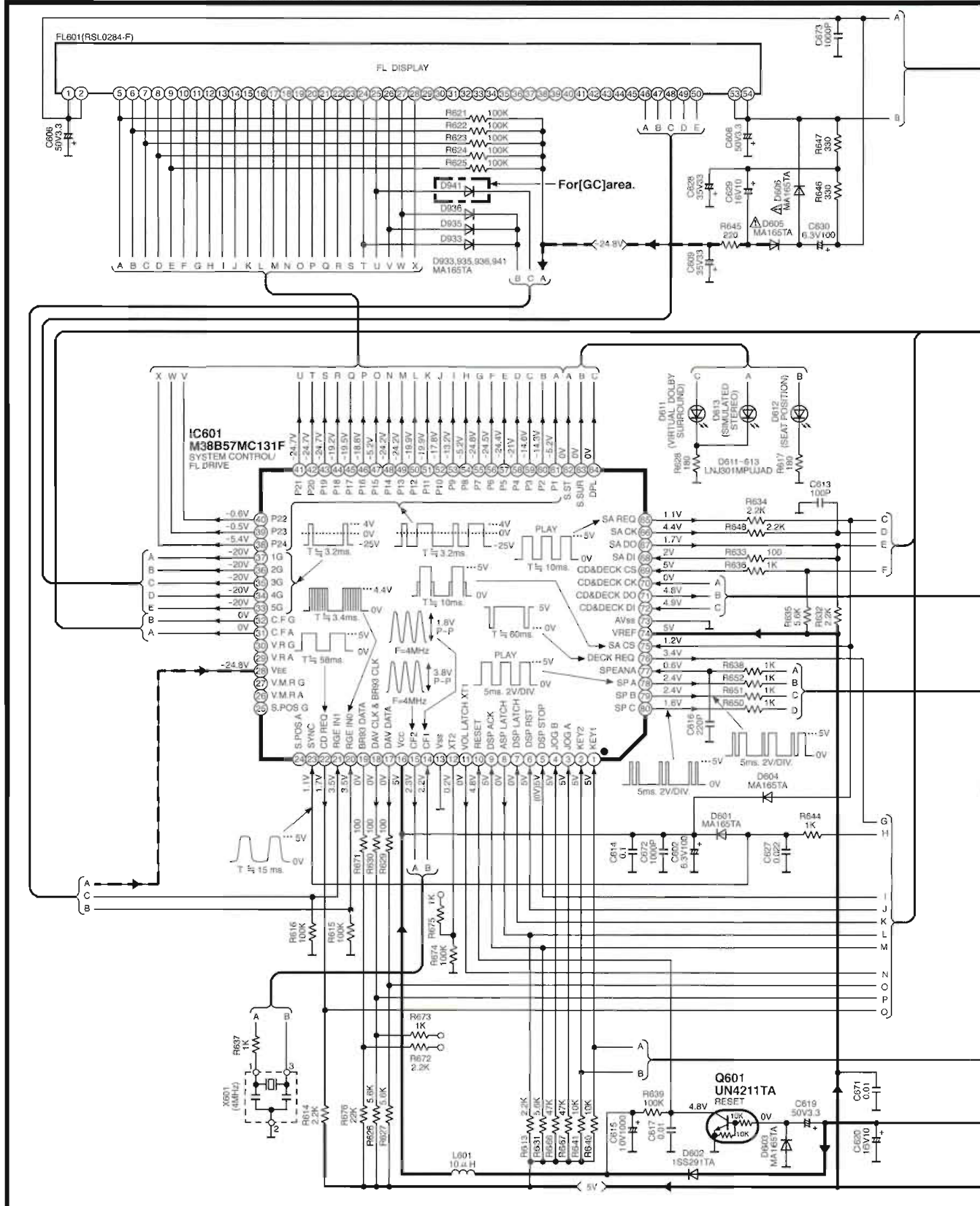
SCHEMATIC DIAGRAM-1

NOTE:

The number which noted at the connectors on the schematic diagram as "SCHEMATIC DIAGRAM-1" or "SCHEMATIC DIAGRAM-2" indicates the schematic diagram serial number located on the left corner in the schematic diagram.

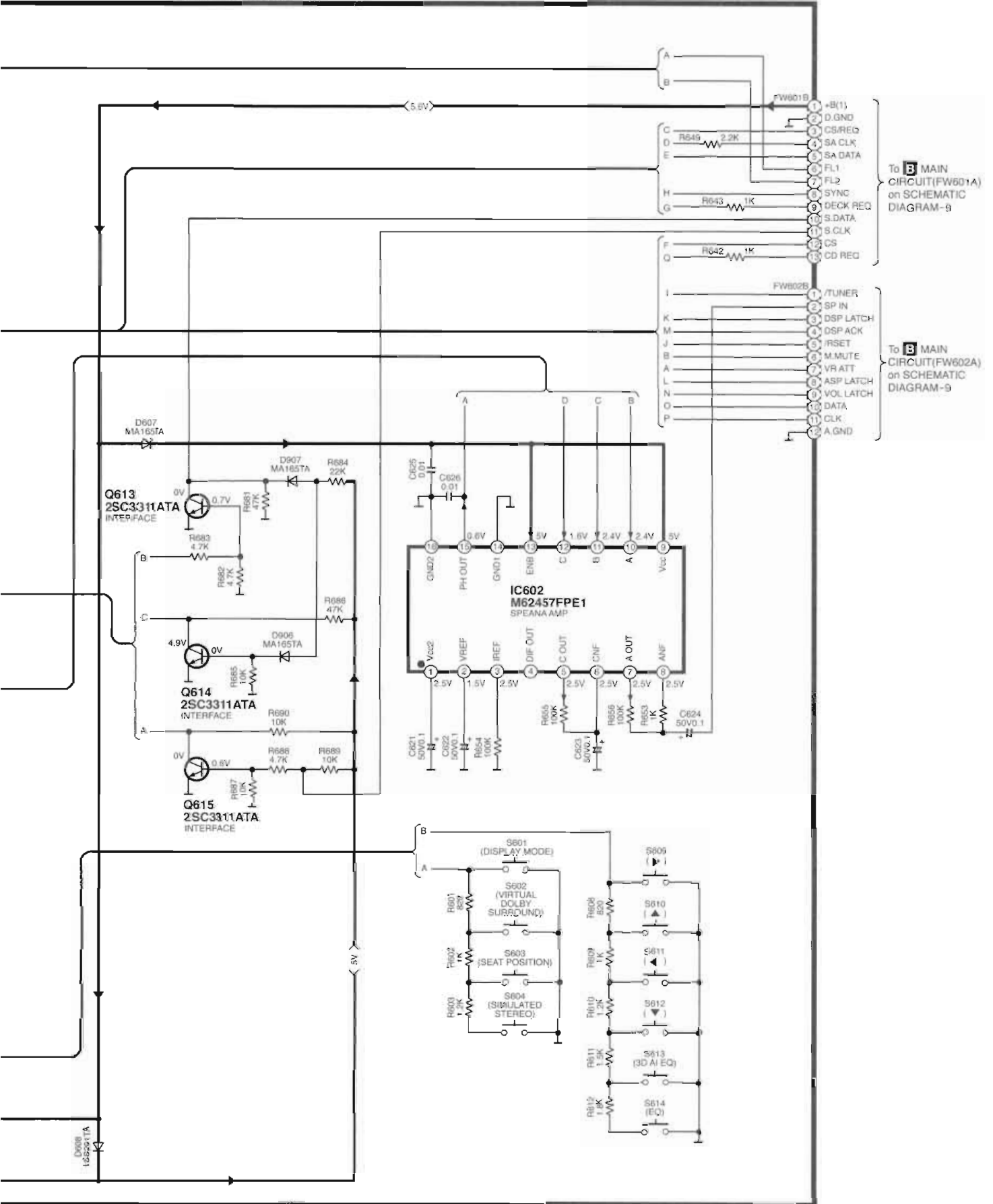
→ POSITIVE VOLTAGE LINE
 - - - NEGATIVE VOLTAGE LINE

A FL CIRCUIT



SCHEMATIC DIAGRAM-2

→ POSITIVE VOLTAGE LINE



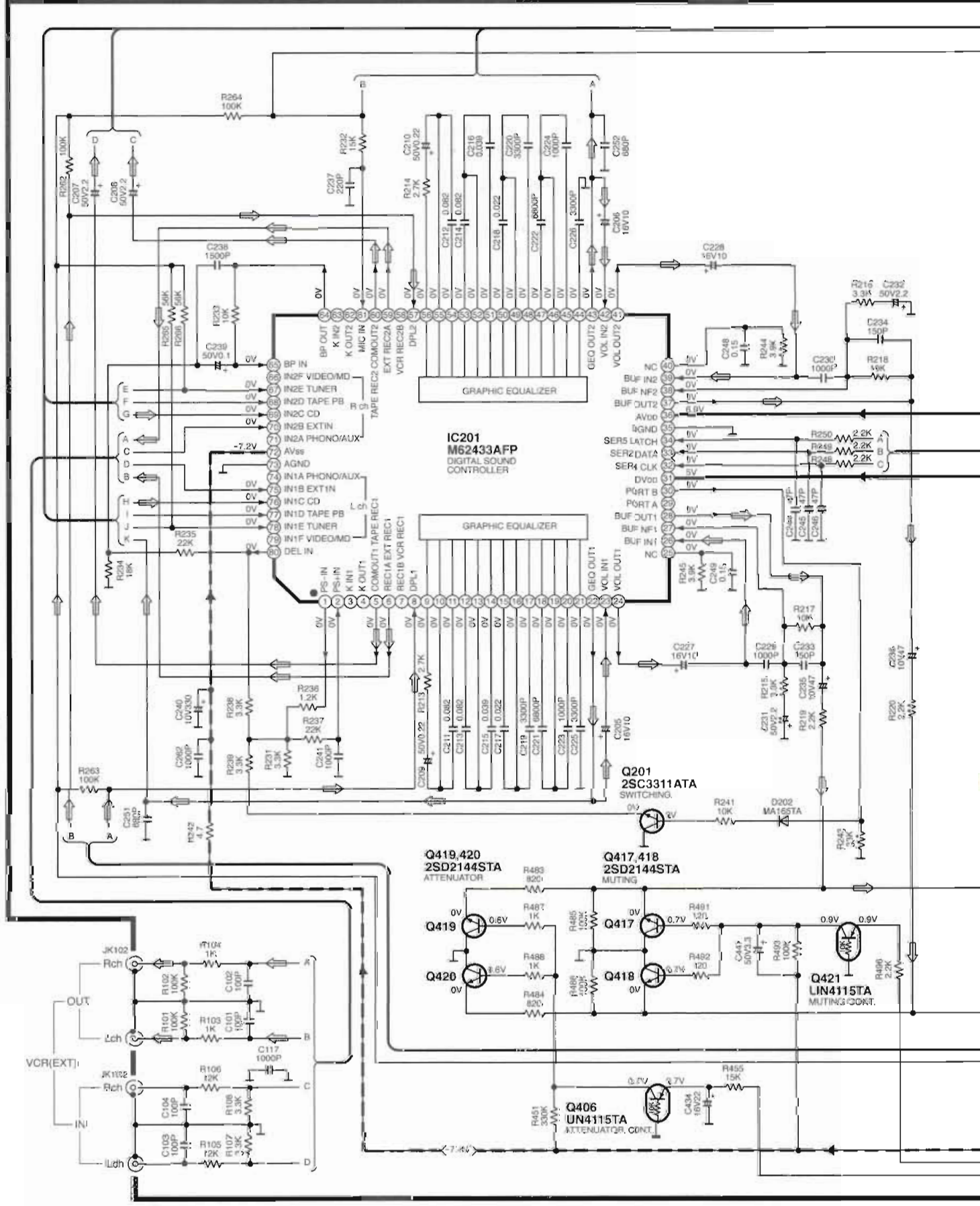
To **B** MAIN CIRCUIT(FW601A) on SCHEMATIC DIAGRAM-9

To **B** MAIN CIRCUIT(FW602A) on SCHEMATIC DIAGRAM-9

SCHEMATIC DIAGRAM-3

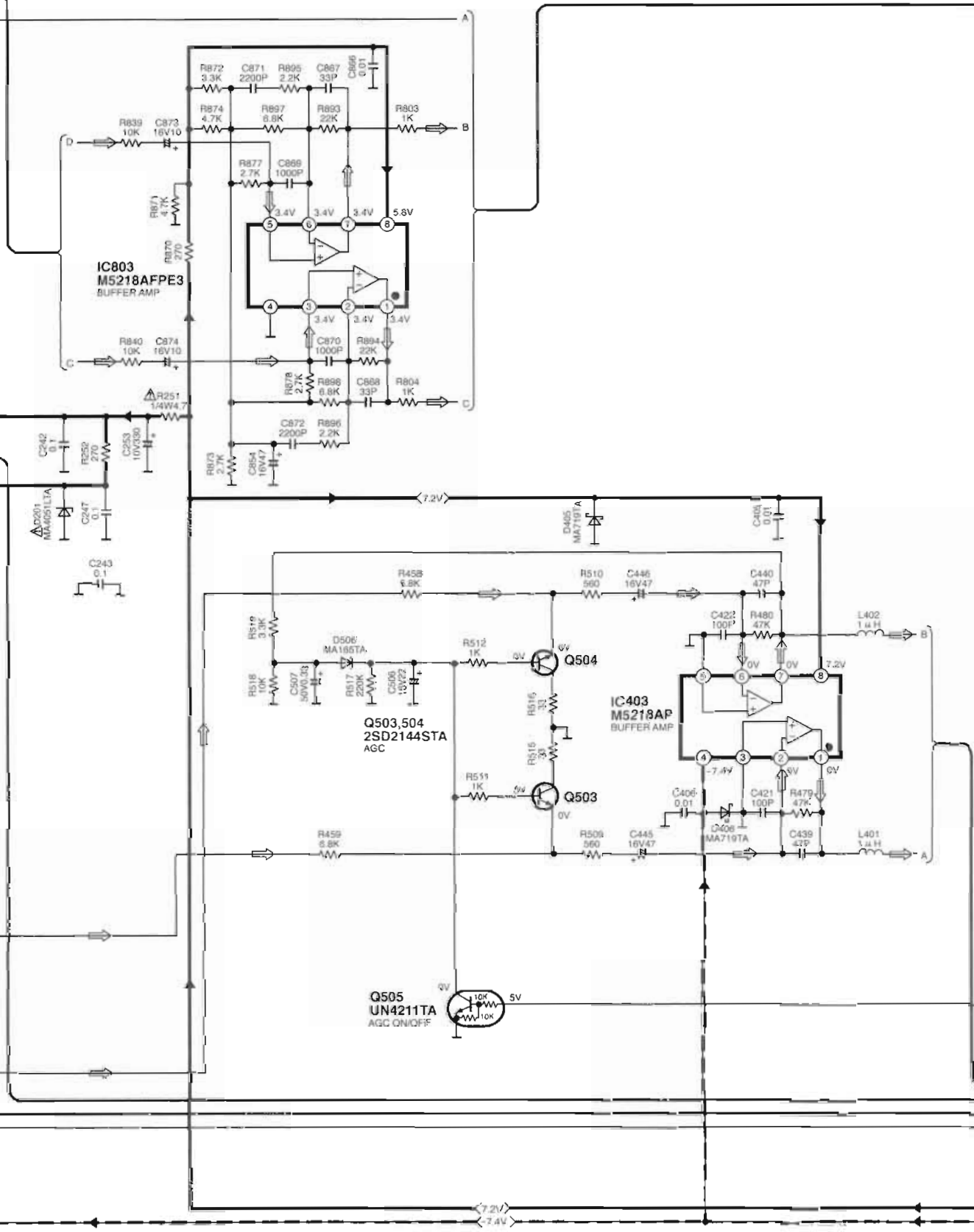
B MAIN CIRCUIT

→ POSITIVE VOLTAGE LINE ⇨ CD SIGNAL LINE
- - - NEGATIVE VOLTAGE LINE



SCHEMATIC DIAGRAM-4

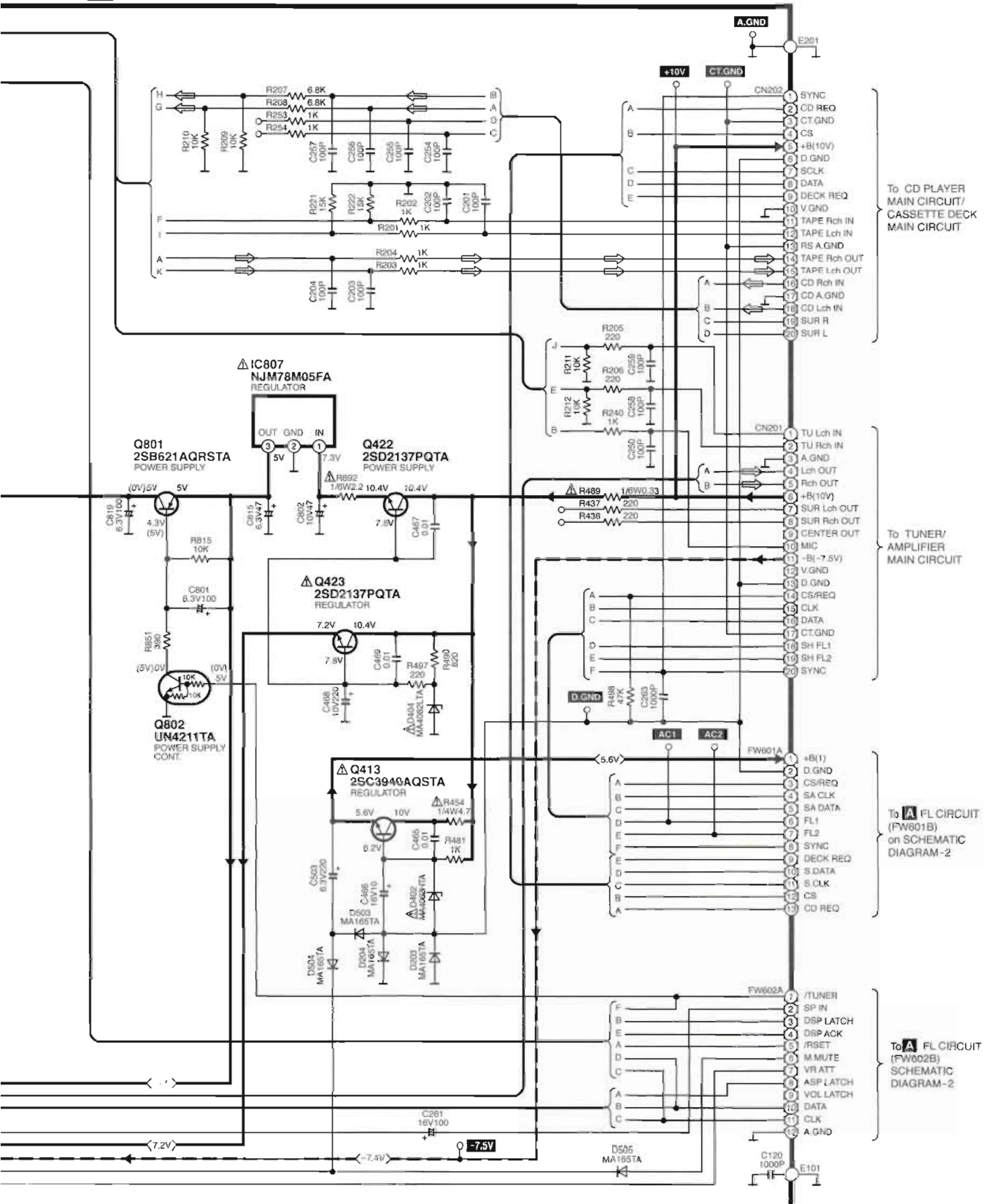
→ POSITIVE VOLTAGE LINE ⇨ CD SIGNAL LINE
- - - NEGATIVE VOLTAGE LINE



SCHEMATIC DIAGRAM-7

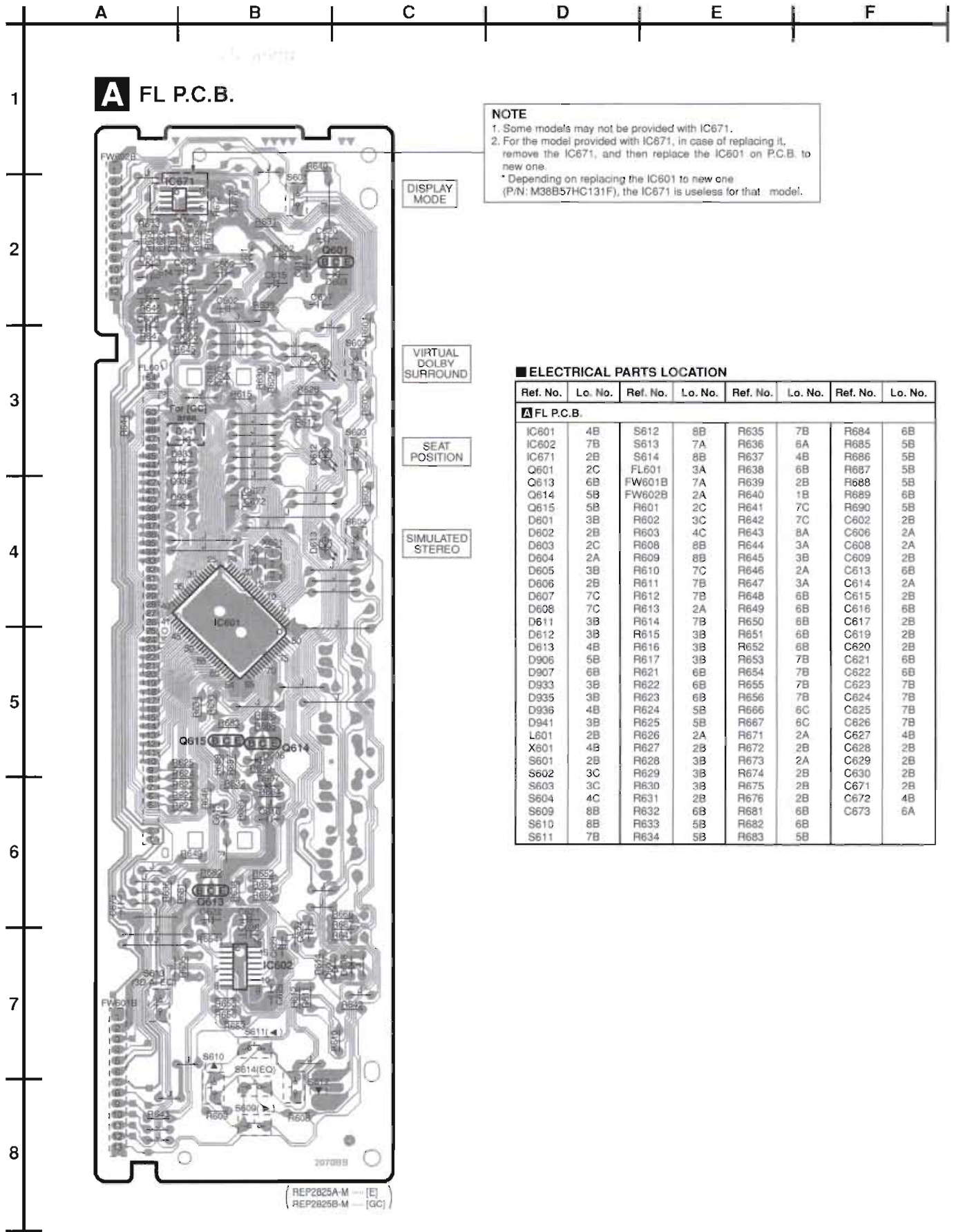
B MAIN CIRCUIT

→ : POSITIVE VOLTAGE LINE ⇨ : CD SIGNAL LINE
 - - - - - : NEGATIVE VOLTAGE LINE



Printed Circuit Board Diagram

• This circuit board diagram may be modified at any time with the development of new technology.



A

B

C

D

E

F

1

B MAIN P.C.B.

2

3

4

5

6

7

8

(IN)
VCR (EXT)
(OUT)

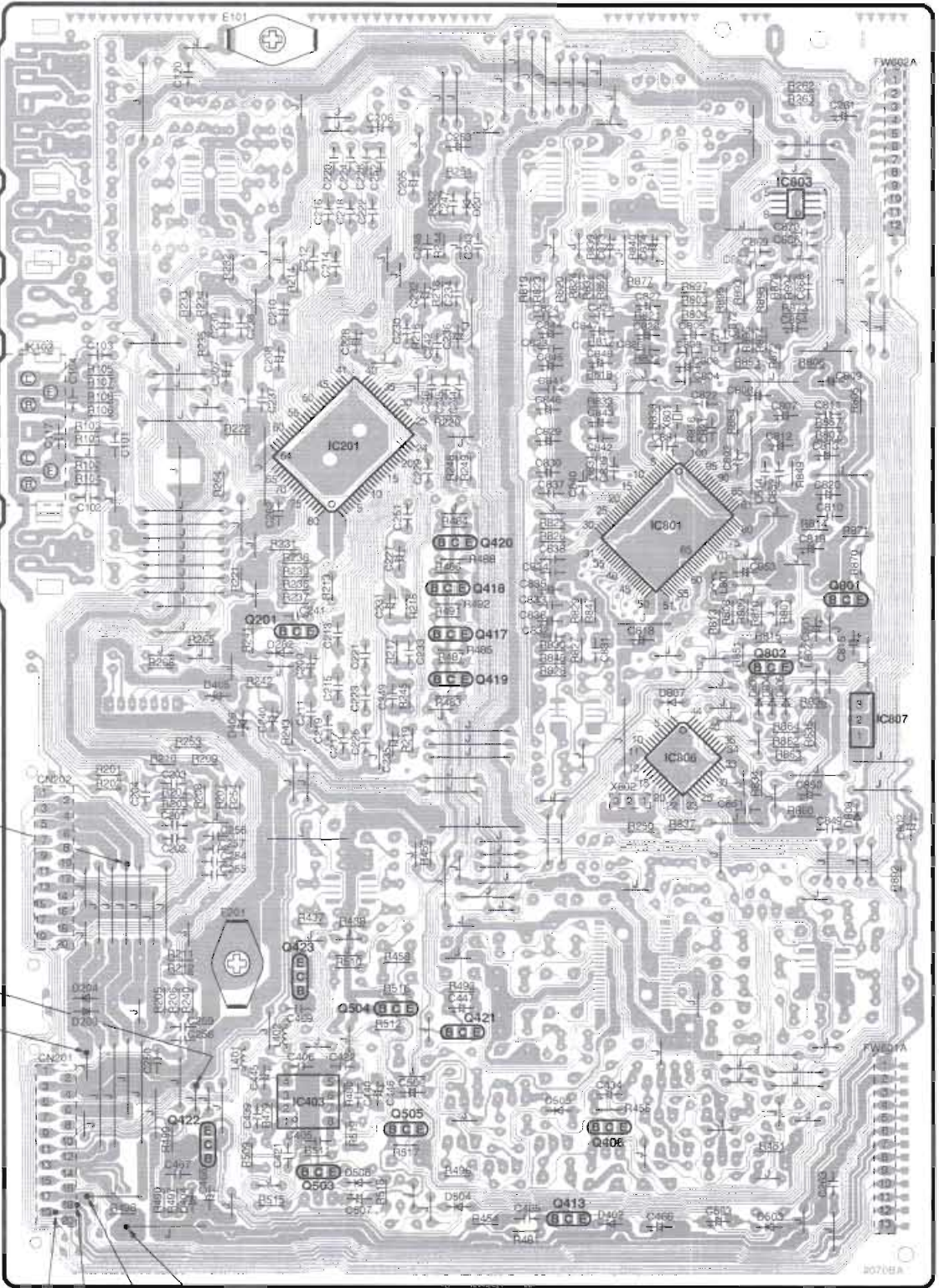
+10V

To CD PLAYER/
CASSETTE DECK

-7.5V

A. GND

To TUNER/
AMPLIFIER



AC2 AC1 CT. GND D. GND

REP2825A-M [E]
REP2825B-M [C]

G

H

I

J


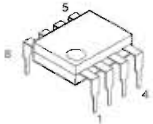
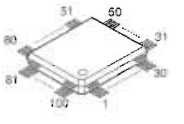
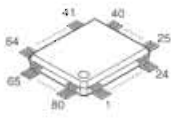
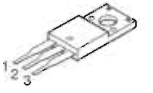


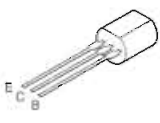

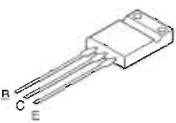
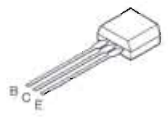
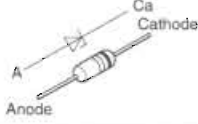

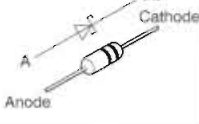
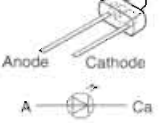
K

L

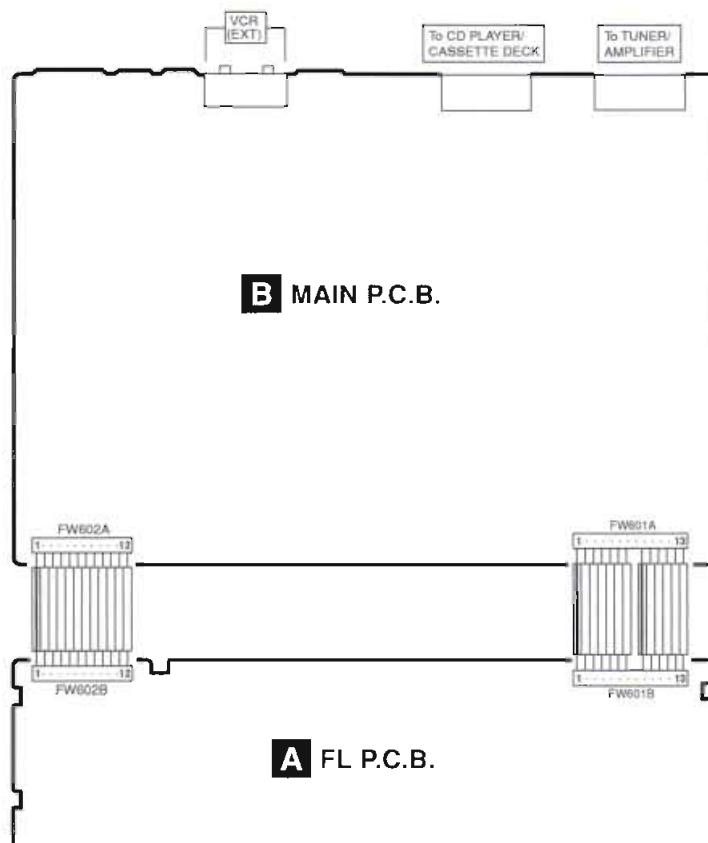
■ ELECTRICAL PARTS LOCATION

Ref. No.	Lo. No.	Ref. No.	Lo. No.	Ref. No.	Lo. No.	Ref. No.	Lo. No.	Ref. No.	Lo. No.	Ref. No.	Lo. No.	Ref. No.	Lo. No.	Ref. No.	Lo. No.
■ MAIN P.C.B.															
IC201	4C	CN202	6B	R240	7B	R512	7C	R849	4F	C216	2C	C262	4C	C828	3E
IC403	7C	JK102	3A	R241	5C	R515	8C	R851	5E	C217	5C	C263	8F	C829	4D
IC801	4E	FW601A	7F	R242	5C	R516	7C	R853	3E	C218	2C	C405	7C	C830	4D
IC803	2F	FW602A	2F	R243	5C	R517	7C	R854	3E	C219	5C	C406	7C	C831	5E
IC806	5E	E101	1C	R244	3D	R518	8C	R857	4F	C220	2C	C421	7C	C832	5D
IC807	5F	E201	6C	R245	5C	R519	7C	R859	3E	C221	5C	C422	7C	C833	4D
Q201	5C	R101	4B	R248	4D	R801	5F	R860	6F	C222	2C	C434	7E	C834	4D
Q406	7E	R102	4B	R249	4D	R803	3E	R862	5F	C223	5C	C439	7C	C835	4D
Q413	8D	R103	4B	R250	6E	R804	3E	R863	5F	C224	2C	C440	7C	C836	5D
Q417	5D	R104	4B	R251	2D	R805	3F	R864	5F	C225	5C	C445	7C	C837	4D
Q418	4D	R105	3B	R252	2D	R806	3F	R870	4F	C226	2C	C446	7C	C838	4D
Q419	5D	R106	3B	R253	5B	R807	4F	R871	4F	C227	4C	C447	7D	C839	4E
Q420	4D	R107	3B	R254	6C	R808	5E	R872	3E	C228	3C	C465	8D	C840	4D
Q421	7D	R108	3B	R262	2F	R809	5E	R873	3F	C229	4D	C466	8E	C841	3D
Q422	7B	R201	5B	R263	2F	R810	5E	R874	3E	C230	3D	C467	8B	C842	4E
Q423	7C	R202	5B	R264	4C	R813	5E	R877	3E	C231	5C	C468	8B	C843	3E
Q503	8C	R203	6B	R265	5B	R814	4F	R878	3E	C232	3D	C469	7C	C844	3D
Q504	7C	R204	6B	R266	5B	R815	5E	R892	6F	C233	5D	C503	8E	C845	3D
Q505	7C	R205	7B	R437	6C	R816	4E	R893	3E	C234	3D	C507	8C	C846	3D
Q801	4F	R206	7B	R438	6C	R817	3E	R894	3F	C235	5C	C506	7D	C847	3E
Q802	5E	R207	6C	R451	7E	R818	3E	R895	3E	C236	3D	C801	5F	C848	3E
D201	2D	R208	6B	R454	8D	R819	3D	R896	3E	C237	3C	C802	6F	C849	6F
D202	5C	R209	5B	R455	7E	R820	3D	R897	3E	C238	3C	C803	3E	C850	6F
D203	7B	R210	5B	R458	6C	R821	3E	R898	3E	C239	3C	C804	3E	C851	6E
D204	7B	R211	6B	R459	6D	R822	3E	C101	4B	C240	5C	C805	3E	C852	4E
D402	8E	R212	6B	R479	7C	R823	3D	C102	4B	C241	5C	C806	3E	C853	4E
D404	8B	R213	4C	R480	7C	R824	3D	C103	3B	C242	3D	C807	3F	C854	3F
D405	5B	R214	3C	R481	8D	R825	4D	C104	3B	C243	3D	C808	3E	C866	3F
D406	5C	R215	5D	R483	5D	R826	4D	C117	4B	C244	3D	C809	3F	C867	3E
D503	8E	R216	3D	R484	4D	R827	5D	C120	2B	C245	3D	C810	4F	C868	3F
D504	8D	R217	5C	R485	5D	R828	5D	C201	6B	C246	3D	C811	3F	C869	3E
D505	7D	R218	3D	R486	4D	R829	5D	C202	6B	C247	2D	C812	4F	C870	2F
D506	8C	R219	5D	R487	5D	R830	5D	C203	5B	C248	3D	C813	4F	C871	3E
D804	5E	R220	3D	R488	4D	R831	4E	C204	6B	C249	5C	C814	4E	C872	3E
D805	5F	R221	4C	R489	7B	R832	3E	C205	2D	C250	7B	C815	5F	C873	3E
D806	5E	R222	4C	R490	8B	R833	3E	C206	2C	C251	4D	C818	5E	C874	3E
D807	5E	R231	4C	R491	5D	R834	5E	C207	3C	C252	2C	C819	4F	C881	4E
D808	6F	R232	3C	R492	4D	R835	5F	C208	3C	C253	2D	C820	4F	C892	4E
L401	7C	R233	3B	R493	7D	R836	5F	C209	5C	C254	6B	C821	4E		
L402	7C	R234	3B	R496	8D	R837	6E	C210	3C	C255	6B	C822	3E		
LB01	4E	R235	3B	R497	8B	R838	3E	C211	5C	C256	6B	C823	3D		
LB02	5F	R236	4C	R498	8B	R839	3E	C212	3C	C257	6B	C824	3D		
X801	3E	R237	4C	R509	8C	R840	3E	C213	5C	C258	7B	C825	3E		
X802	6E	R238	4C	R510	6C	R847	5E	C214	3C	C259	7B	C826	3E		
CN201	7B	R239	4C	R511	7C	R848	5D	C215	5C	C261	2F	C827	3E		

■ Type Illustration of IC's, Transistors and Diodes

 <p>M5218AFPE3 8PIN M62457FPE1 16PIN</p>	<p>M5218AP</p> 	<p>TC9472F-002</p> 	<p>M38B57MC131F M62433AFP</p> 	<p>NJM78M05FA</p> 	
<p>T87CH47U4D27</p> 	 <p>2SC3311ATA UN4115TA UN4211TA</p>		<p>2SB621AQRSTA</p> 	<p>2SC3940AQSTA</p> 	<p>2SD2137PQTA</p> 
<p>2SD2144STA</p> 	<p>MA4051LTA MA4062HTA MA4082LTA</p> 	<p>MA165TA 1SS291TA</p> 	<p>MA719TA</p> 	<p>LNJ301MPUJAD</p> 	

■ Wiring Connection Diagram



■ Terminal Function of IC's

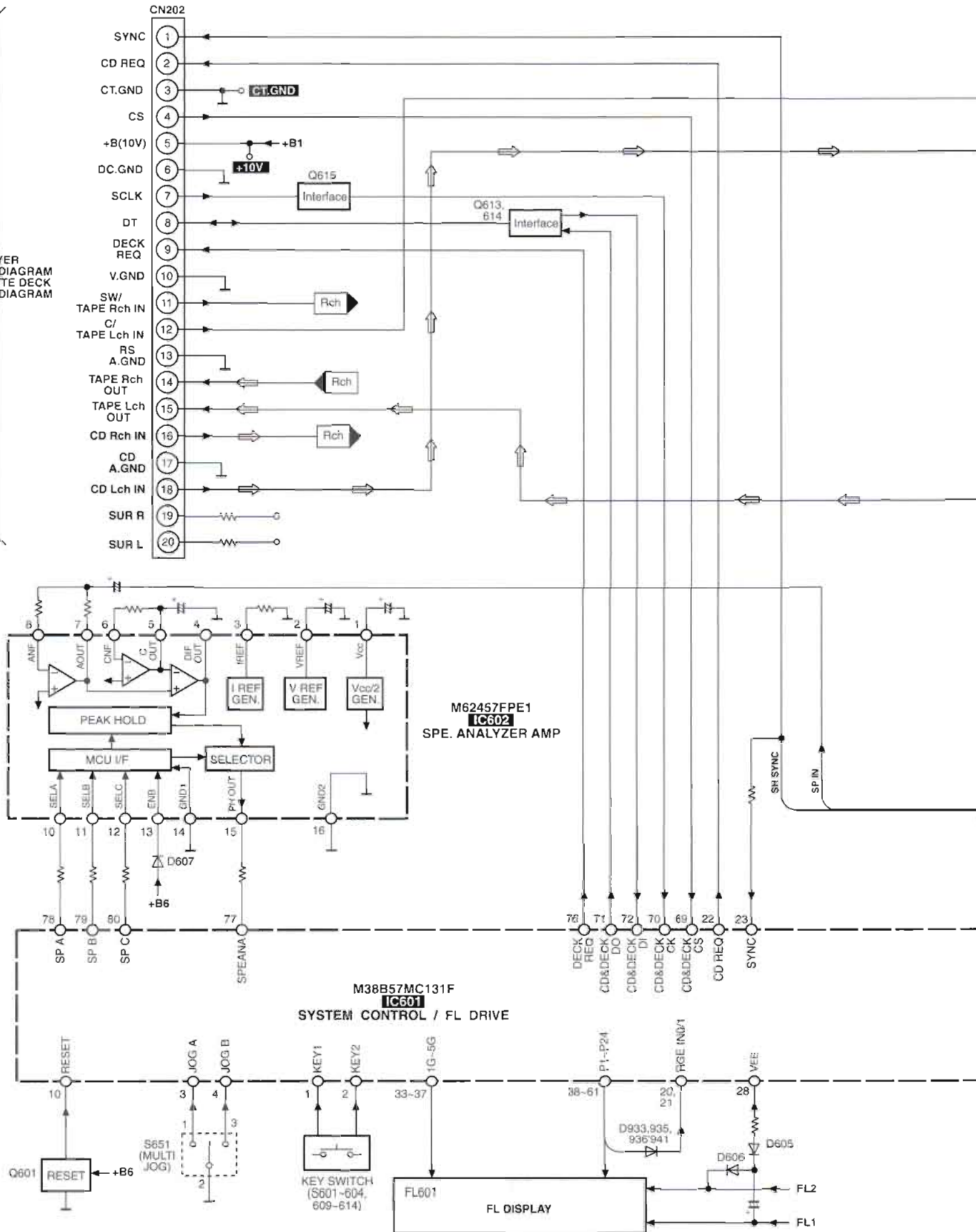
● IC601 (M38B57MC131F) : System Control/ FL Drive

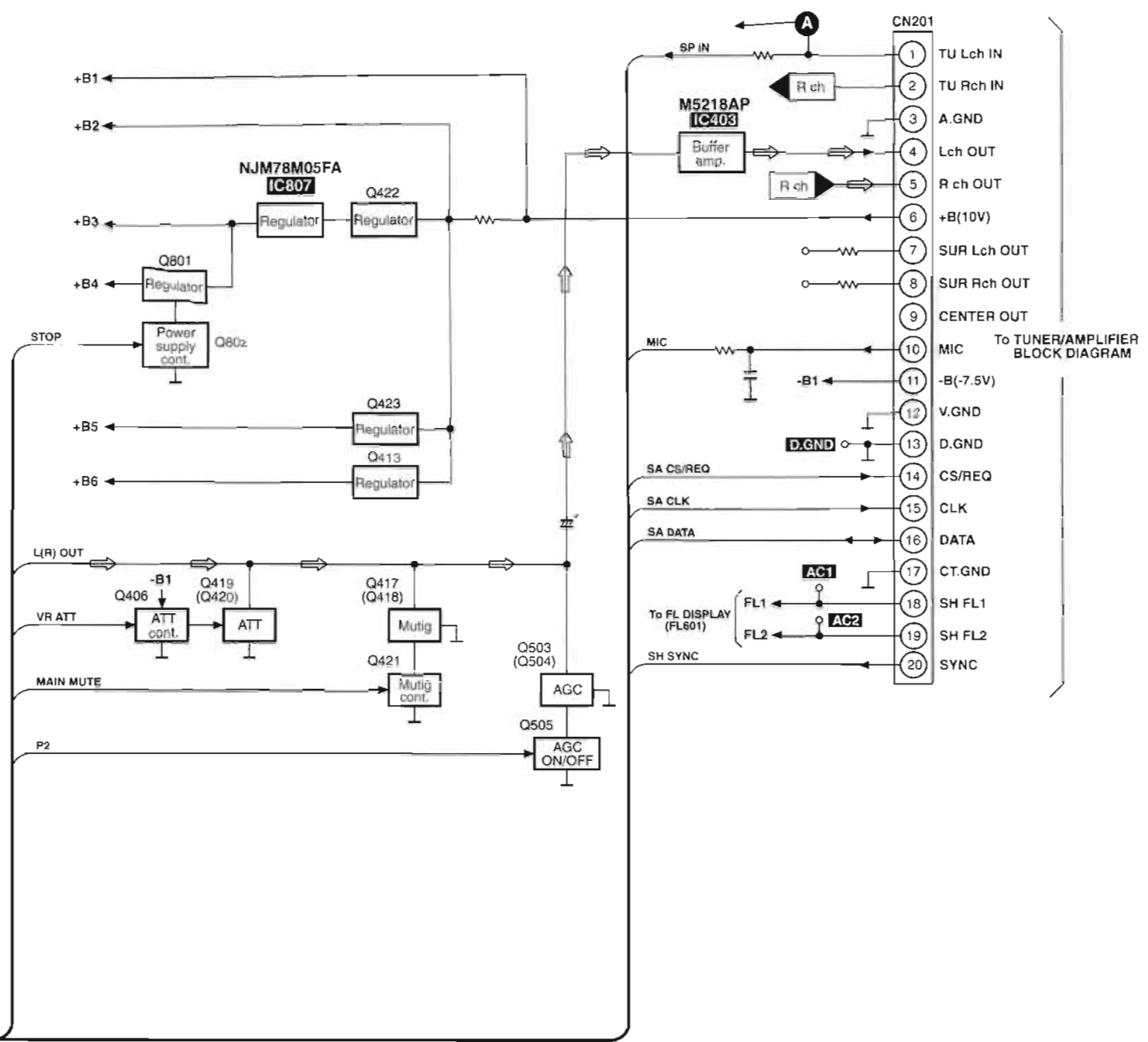
Pin No.	Terminal Name	I/O	Function
1	KEY1	I	Operation key signal input
2	KEY2	I	Operation key signal input
3	JOGA	I	JOG A signal input
4	JOGB	I	JOG B signal input
5	DSP STOP	I	Stop signal input for IC806
6	DSP RST	I	Reset signal input for IC806
7	DSP LATCH	I	Latch signal input for IC806
8	ASP LATCH	O	Latch signal output for IC201
9	DSP ACK	I	Acknowledge signal input for IC806
10	RESET	I	System reset signal input
11	VOL LATCH XT1	-	Latch signal output (Not used)
12	XT2	-	EEPROM chip select signal (Not used)
13	V _{ss}	-	GND terminal
14	CF1	I	Oscillator connected terminal (4 MHz)
15	CF2	O	
16	V _{cc}	I	Power supply (+5 V) terminal
17	DAV DATA	O	Volume data signal output
18	DAV CLK & BR93 CLK	O	Volume clock signal output
19	BR93 DATA	-	EEPROM data input (Not used)
20	RGEIN0	I	Destination select signal input
21	RGEIN1	I	Destination select signal input
22	CD REQ	O	CD serial data request signal output
23	SYNC	I	Power failure detect signal input
24	S. POS A	-	ORANGE LED (SEAT POSITION) signal output (Not used, open)
25	S. POS G	-	GREEN LED (SEAT POSITION) signal output (Not used, open)
26	V.M.R A	-	ORANGE LED (MULTI REAR) signal output (Not used, open)
27	V.M.R G	-	GREEN LED (MULTI REAR) signal output (Not used, open)

Pin No.	Terminal Name	I/O	Function
28	V _{EE}	I	Power supply (-24.8 V) terminal
29	V.R A	-	ORANGE LED (VIRTUAL REAR) signal output (Not used, open)
30	V.R G	-	GREEN LED (VIRTUAL REAR) signal output (Not used, open)
31	C.F A	O	Volume attenuator control signal output
32	C.F G	O	Muting control signal output
33-37	5G-1G	O	Grid signal output
38-61	P24-P1	O	Segment signal output
62	S.ST	O	LED (SIMULATED STEREO) signal output
63	S.SUR	O	LED (SEAT POSITION) signal output
64	DPL	O	LED (VIRTUAL DOLBY SURROUND) signal output
65	SA REQ	O	Request signal output for Tuner/Amplifier
66	SA CK	O	Serial communication signal to Tuner/Amplifier (Clock signal output)
67	SA DO	O	Serial communication signal to Tuner/Amplifier (Data signal output)
68	SA DI	I	Serial communication signal to Tuner/Amplifier (Data signal input)
69	CD&DECK CS	I	Serial data communication starting signal input (CD and Deck mechanism)
70	CD&DECK CK	I	Clock signal input (CD and Deck mechanism)
71	CD&DECK DO	O	Data signal output (CD and Deck mechanism)
72	CD&DECK DI	I	Data signal input (CD and Deck mechanism)
73	AV _{ss}	-	GND terminal
74	VREF	I	Reference voltage input
75	SA CS	I	Chip select signal input terminal
76	DECK REQ	O	Serial data request signal output for Deck mechanism
77	SPEANA	I	A/D signal input for IC602
78	SP A	O	Band select signal output for IC602
79	SP B		
80	SP C		

Block Diagram

To CD PLAYER
BLOCK DIAGRAM
To CASSETTE DECK
BLOCK DIAGRAM





Notes
 ● Signal line ⇨ : CD signal line
 ● () Indicates pin No. Right channel.

■ Replacement Parts List

Notes: * Important safety notice:

Components identified by Δ mark have special characteristics important for safety. Furthermore, special parts which have purposes of fire-(resistors), etc. are used. When replacing any of components, be sure to use only manufacturer's specified parts shown in the parts list.

* The parenthesized indications in the Remarks columns specify the areas. (Refer to the cover page for area.)

* ALL parts are supplied by MESA.

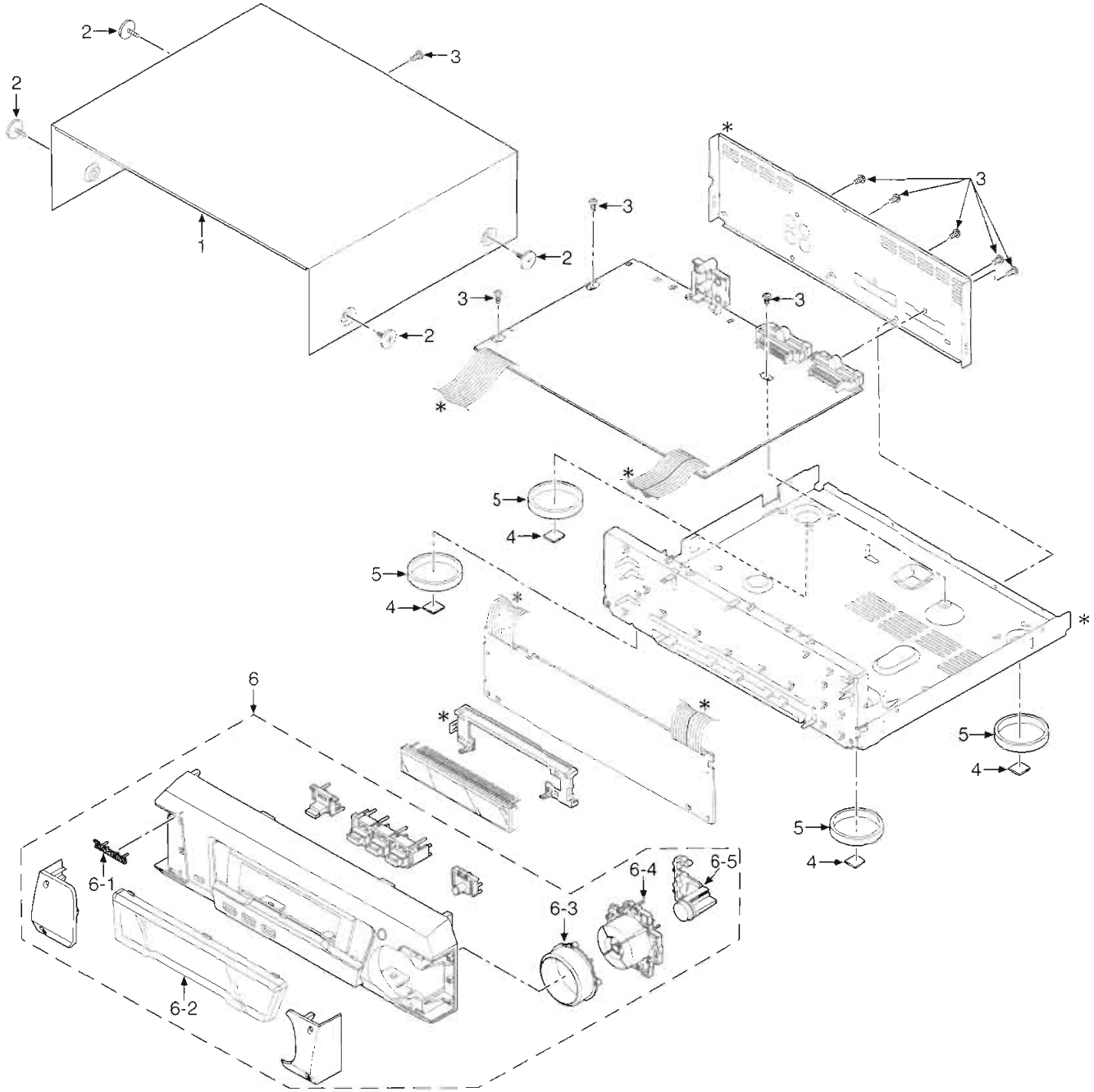
Ref.No.	Part No.	Part Name & Description	Pcs	Remarks
1	RKM0400-S	TOP CABINET	1	
2	RHD30007-K1	SCREW	4	
3	XTB3+BJFZ	SCREW	9	
4	RKA0105-K	RUBBER	4	
5	RKA0106-N	FOOT RING	4	
6	RYP0911A-S	FRONT PANEL	1	
6-1	RGB0025-A	TECHNICS BADGE	1	
6-2	RKW0576-V1	FL WINDOW	1	
6-3	RGK1128-S	RING ORNAMENT	1	
6-4	RGU1761-S	BUTTON,CONTROL	1	
6-5	RGU1762-S	BUTTON,CENTER	1	
C101-04	ECBT1H101KB5	50V 100P	4	
C117	ECBT1H102KB5	50V 1000P	1	
C120	ECBT1H102KB5	50V 1000P	1	
C201-04	ECBT1H101KB5	50V 100P	4	
C205,06	RCE1CKA100BG	16V 10U	2	
C207,08	ECEA1HKS2R2	50V 2.2U	2	
C209,10	ECEA1HKAR2B	50V 0.22U	2	
C211-14	ECFR1C823MR	16V 0.082U	4	
C215,16	ECFR1C393KR	16V 0.039U	2	
C217,18	ECFR1C223KR	16V 0.022U	2	
C219,20	ECBT1C332KR5	16V 3300P	2	
C221,22	ECBT1C682KR5	16V 6800P	2	
C223,24	ECBT1H102KB5	50V 1000P	2	
C225,26	ECBT1C332KR5	16V 3300P	2	
C227,28	RCE1CKA100BG	16V 10U	2	
C229,30	ECBT1H102KB5	50V 1000P	2	
C231,32	ECEA1HKS2R2	50V 2.2U	2	
C233,34	ECBT1H151KB5	50V 150P	2	
C235,36	RCE1AKA470BG	10V 47U	2	
C237	ECBT1H221KB5	50V 220P	1	
C238	ECBT1C152KR5	16V 1500P	1	
C239	ECEA1HKS0R1	50V 0.1U	1	
C240	ECA1AM331	10V 330U	1	
C241	ECBT1H102KB5	50V 1000P	1	
C242,43	ECBT1H104ZF5	50V 0.1U	2	
C244-46	ECBT1H470J5	50V 47P	3	
C247	ECBT1H104ZF5	50V 0.1U	1	
C248,49	ECQV1H154JM3	90V 0.15UF	2	
C250	ECBT1H101KB5	50V 100P	1	
C251,52	ECBA1H681KB5	50V 580P	2	
C253	ECA1AM331	10V 330U	1	
C254-59	ECBT1H101KB5	50V 100P	6	
C261	ECEA1CKS101	16V 100U	1	
C262,63	ECBT1H102KB5	50V 1000P	2	
C405,06	ECBT1E103ZF	25V 0.01U	2	
C421,22	ECBT1H101KB5	50V 100P	2	
C434	ECEA1CKS220	16V 22U	1	
C439,40	ECBT1H470J5	50V 47P	2	
C445,46	RCE1CKA470BG	16V 47U	2	
C447	RCE1HKA3R3BG	50V 3.3U	1	
C485	ECBT1E103ZF	25V 0.01U	1	
C466	RCE1CKA100BG	16V 10U	1	
C467	ECBT1E103ZF	25V 0.01U	1	
C468	ECEA1AKS221	10V 220U	1	
C469	ECBT1E103ZF	25V 0.01U	1	
C503	ECEA1AKS221	10V 220U	1	
C506	ECEA1CKS220	16V 22U	1	
C507	ECEA1HKS3R3	50V 0.33U	1	
C602	ECEA0JKS101	6.3V 100U	1	
C606	ECEA1HKS3R3	50V 3.3U	1	
C608	ECEA1HKS3R3	50V 3.3U	1	
C609	ECEA1VKA330B	35V 33U	1	
C613	ECBT1H101KB5	50V 100P	1	
C614	ECBT1H104ZF5	50V 0.1U	1	

Ref.No.	Part No.	Part Name & Description	Pcs	Remarks
C615	RCE1AM102BV	10V 1000U	1	
C616	ECBT1H221KB5	50V 220P	1	
C617	ECBT1E103ZF	25V 0.01U	1	
C619	RCE1HKA3R3BG	50V 3.3U	1	
C620	RCE1CKA100BG	16V 10U	1	
C621-24	ECEA1HKS0R1	50V 0.1U	4	
C625,26	ECBT1E103ZF	25V 0.01U	2	
C627	ECBT1H223KB5	50V 0.022U	1	
C628	ECEA1VKA330B	35V 33U	1	
C629	RCE1CKA100BG	16V 10U	1	
C630	ECEA0JKS101	6.3V 100U	1	
C671	ECBT1E103ZF	25V 0.01U	1	
C672,73	ECBT1H102KB5	50V 1000P	2	
C801	ECEA0JKS101	6.3V 100U	1	
C802	RCE1AKA470BG	10V 47U	1	
C803,04	ECBT1C222KR5	16V 2200P	2	
C805,06	RCE1HKA4R7BG	50V 4.7U	2	
C807	RCE1CKA100BG	16V 10U	1	
C808	RCE1CKA100BG	16V 10U	1	
C809	RCE1HKA4R7BG	50V 4.7U	1	
C810	ECBT1H104ZF5	50V 0.1U	1	
C811	ECBT1C222KR5	16V 2200P	1	
C812,13	ECEA0JKS470	6.3V 47U	2	
C814	ECBT1H471KB5	50V 470P	1	
C815	ECEA0JKS470	6.3V 47U	1	
C818	EEAF0J101B	6.3V 100U	1	
C819	ECEA0JKS101	6.3V 100U	1	
C820	ECEA1AKS221	6.3V 220U	1	
C821	ECBT1H4R7KC5	50V 4.7P	1	
C822	ECBT1H120JC5	50V 12P	1	
C823,24	ECBT1H223KB5	50V 0.022U	2	
C825,26	ECBT1C222KR5	16V 2200P	2	
C827,28	ECEA1HKS010	50V 1U	2	
C829,30	ECEA0JKS470	6.3V 47U	2	
C831,32	ECBT1H223KB5	50V 0.022U	2	
C833,34	ECBT1C222KR5	16V 2200P	2	
C835,36	ECEA1HKS010	50V 1U	2	
C837-40	ECBT1E103ZF	25V 0.01U	4	
C841	ECBT1H223KB5	50V 0.022U	1	
C842	ECBT1C222KR5	16V 2200P	1	
C843	ECEA1HKS010	50V 1U	1	
C844-48	ECEA0JKS470	6.3V 47U	5	
C849	ECBT1E103ZF	25V 0.01U	1	
C850	ECEA0JKS101	6.3V 100U	1	
C851	ECBT1E103ZF	25V 0.01U	1	
C852	ECBT1H561KB5	50V 560P	1	
C853	EEAF0J101B	6.3V 100U	1	
C854	RCE1CKA470BG	16V 47U	1	
C866	ECBT1E103ZF	25V 0.01U	1	
C867,68	ECBT1H330J5	50V 33P	2	
C869,70	ECBT1H102KB5	50V 1000P	2	
C871,72	ECBT1C222KR5	16V 2200P	2	
C873,74	RCE1CKA100BG	16V 10U	2	
C881	ECBT1E103ZF	25V 0.01U	1	
C892	ECBT1H104ZF5	50V 0.1U	1	
CN201	RJT065A20	CONNECTOR(20P)	1	
CN202	RJT065K20	CONNECTOR(20P)	1	
Δ D201	MA4051-L	DIODE	1	
Δ D202-04	MA165	DIODE	3	
Δ D402	MA4062H	DIODE	1	
Δ D404	MA4082LTA	DIODE	1	
Δ D405,06	MA719TA	DIODE	2	
Δ D503-06	MA165	DIODE	4	
Δ D601	MA165	DIODE	1	
Δ D602	1SS291TA	DIODE	1	
Δ D603,04	MA165	DIODE	2	
Δ D608	1SS291TA	DIODE	1	
Δ D611-13	LNJ301MPJJAD	LED	3	
Δ D804-08	MA165	DIODE	5	
Δ D906,07	MA165	DIODE	2	
Δ D933	MA165	DIODE	1	
Δ D935,36	MA165	DIODE	2	
Δ D941	MA165	DIODE	1 (GC)	
FL601	RSL0284-F	FL	1	

Ref No.	Part No	Part Name & Description	Pcs	Remarks
R857	ERDS2FJ103	1/4W 10K	1	
R859	ERDS2FJ271	1/4W 270	1	
R860	ERDS2FJ103	1/4W 10K	1	
R862-64	ERDS2FJ101	1/4W 100	3	
R870	ERDS2FJ271	1/4W 270	1	
R871	ERDS2FJ472	1/4W 4.7K	1	
R872	ERDS2FJ332	1/4W 3.3K	1	
R873	ERDS2FJ272	1/4W 2.7K	1	
R874	ERDS2FJ472	1/4W 4.7K	1	
R877.78	ERDS2FJ272	1/4W 2.7K	2	
△ R892	ERQ16NKW2R2E	1/6W 2.2	1	

Ref No	Part No	Part Name & Description	Pcs	Remarks
R893.94	ERDS2FJ223	1/4W 22K	2	
R895.96	ERDS2FJ222	1/4W 2.2K	2	
R897.98	ERDS2FJ682	1/4W 6.8K	2	
S601-04	EVO11G05R	SW,PUSH	4	
S609-14	EVO11G05R	SW,PUSH	6	
X601	EF0EC4004T4	OSCILLATOR	1	
X801	RSXZ33M8M03T	OSCILLATOR	1	
X802	RSXY8M00D01T	OSCILLATOR	1	

■ Cabinet Parts Location



Note : We do not supply those items of parts marked *.

Ref.No.	Part No.	Part Name & Description	Pcs	Remarks
1	RKM0400-S	TOP CABINET	1	
2	RHD30007-K1	SCREW	4	
3	XTB3+8JFZ	SCREW	8	
4	RKA0105-K	RUBBER	4	
5	RKA0106-N	FOOT RING	4	
6	RYP0911A-S	FRONT PANEL	1	

Ref.No.	Part No.	Part Name & Description	Pcs	Remarks
6-1	RGB0025-A	TECHNICS BADGE	1	
6-2	RKW0576-V1	FL WINDOW	1	
6-3	RGK1128-S	RING ORNAMENT	1	
6-4	RGU1761-S	BUTTON,CONTROL	1	
6-5	RGU1762-S	BUTTON,CENTER	1	